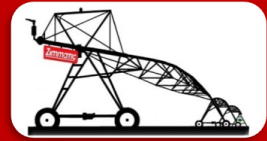




MECHANIZED IRRIGATION EQUIPMENT ADVANCED FULL CIRCLE SERVICE PROGRAM



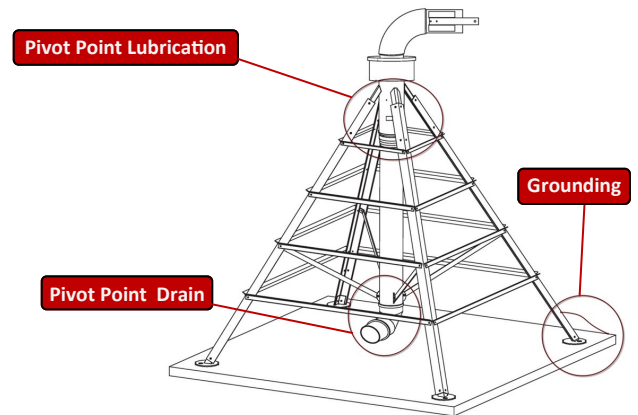
Farm Name: _____
 Customer Name: _____
 Address: _____
 City, State, Zip: _____
 Phone: _____

Serial Number: _____
 Date: _____
 Work Order: _____
 Brand: _____
 Model: _____

Pivot Point

✓ Checked ✗ Needs Attention

Section	Service Note	✓	✗
Structure	Visually inspected for signs of stress, damage, loose or missing components.		
Grounding	Confirmed presence of grounding electrode and proper wiring.		
Pivot Head	Greased pivot head according to manufacture recommendations.		
Collector Ring	Cleaned brushes and Rings, check for debris.		
Drain	Removed the drain at bottom elbow of riser.		



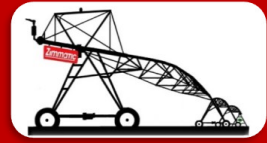
Pivot Operation

Section	Service Note	✓	✗
Forward/Reverse operation	Confirmed proper operation in both Forward and Reverse directions. Troubleshoot as approved by customer.		

Notes



MECHANIZED IRRIGATION EQUIPMENT ADVANCED FULL CIRCLE SERVICE PROGRAM

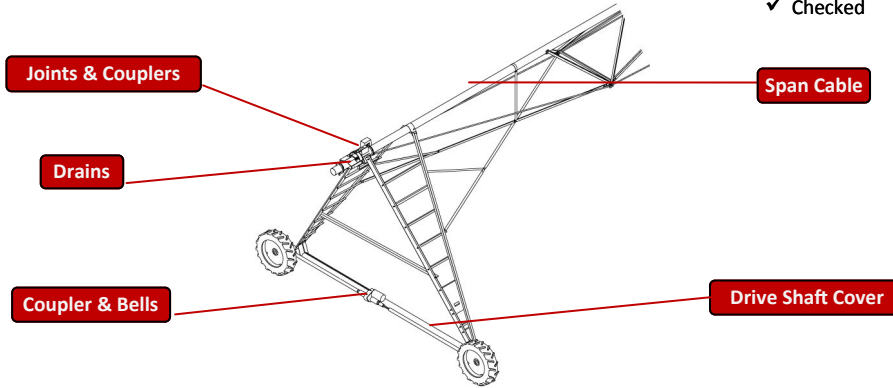


Farm Name: _____

Serial Number: _____

Tower Structure

✓ Checked ✗ Needs Attention



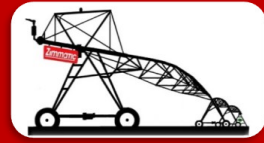
Section	Service Note	Tower 1		Tower 2		Tower 3		Tower 4		Tower 5		Tower 6		Tower 7		Tower 8	
		✓	✗	✓	✗	✓	✗	✓	✗	✓	✗	✓	✗	✓	✗	✓	✗
Tower Joint & Boot/Coupler	Visually inspect for signs of damage.																
Drains	Drains are present and in good condition.																
Span Cable	The cable is secure across span and properly connected to the tower box.																
Driveshaft Covers & Belts	Check for proper installation.																
Driveshaft & Couplers	Visually inspect driveshaft and couplers for wear.																

Tower Box

Section	Service Note	Tower 1		Tower 2		Tower 3		Tower 4		Tower 5		Tower 6		Tower 7		Tower 8	
		✓	✗	✓	✗	✓	✗	✓	✗	✓	✗	✓	✗	✓	✗	✓	✗
Safety Micro switch	Proper calibration of safety microswitch.																
Cam Spring (std tower box)	Spring is operating per manufacturing specifications.																
Arc Suppressor	Arc suppressor is in working condition.																
Contactors	Visually inspected for signs of arcing, checked for correct function.																
Cam arm & Linkage	Checked for damage and proper alignment.																
Lid & Base	Visually inspected for damage on cover and seal.																
Stall Timer (NTL)	Checked wiring, note any modifications on checklist.																
General Condition	Visually inspected all components and wiring for signs of arcing.																



MECHANIZED IRRIGATION EQUIPMENT ADVANCED FULL CIRCLE SERVICE PROGRAM

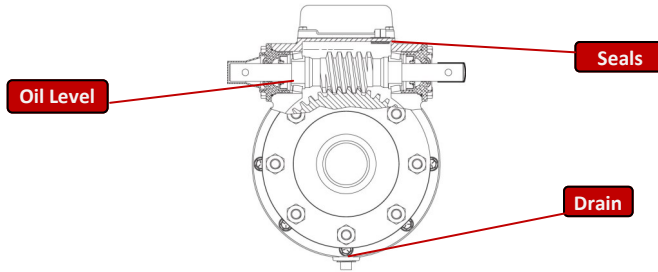


Farm Name: _____

Serial Number: _____

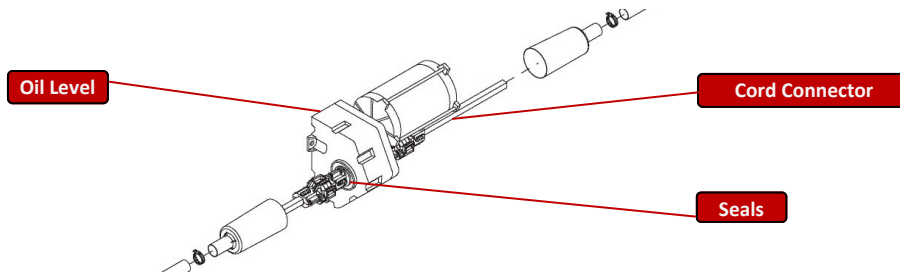
Gearbox

✓ Checked ✗ Needs Attention



Section	Service Note	Tower 1		Tower 2		Tower 3		Tower 4		Tower 5		Tower 6		Tower 7		Tower 8	
		✓	✗	✓	✗	✓	✗	✓	✗	✓	✗	✓	✗	✓	✗	✓	✗
Seals	Seals functioning, not leaking.																
Oil Level	Loosen drain plug and drain any water present in gearbox. Refilled with manufacturer's approved oil.																
Mounting bolts	Visually inspected gearbox mounting bolts.																

Center Drive

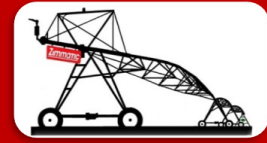


Section	Service Note	Tower 1		Tower 2		Tower 3		Tower 4		Tower 5		Tower 6		Tower 7		Tower 8	
		✓	✗	✓	✗	✓	✗	✓	✗	✓	✗	✓	✗	✓	✗	✓	✗
Seals	Seals functioning, not leaking.																
Oil Level	Drained any water present in gearbox. Refill with approved oil.																
Mounting Bolts	Visually inspected gearbox mounting bolts.																
Motor Drop Cable	Visually inspected cable .Check for damage ,securely fastened, pinched areas or bends.																
Cord Connector	Checked connector at tower box and center drive motor.																

Notes



MECHANIZED IRRIGATION EQUIPMENT ADVANCED FULL CIRCLE SERVICE PROGRAM



Farm Name: _____

Serial Number: _____

✓ Checked ✗ Needs Attention

Overhang

Section	Service Note	✓	✗
Sand Trap	Removed trap and empty any material present. Reinstall.		

Options

Section	Service Note	✓	✗
Long system Alignment	Grease alignment assembly. Cables are intact.		
Auto Reverse and FieldPLUS	Check reversing assembly for proper mechanical operation.		
FieldPLUS	Grease joint assembly, check for damage and wear.		
Barricades	Barricades are properly installed. Note missing barricades.		

Booster Pump Panel

Section	Service Note	✓	✗
Fuses	Check fuses with an ohm meter. Replace as necessary.		

Sprinklers

Section	Service Note	Tower 1		Tower 2		Tower 3		Tower 4		Tower 5		Tower 6		Tower 7		Tower 8	
		✓	✗	✓	✗	✓	✗	✓	✗	✓	✗	✓	✗	✓	✗	✓	✗
Overall	Sprinklers/drops are present and in visually good condition. Note missing or damaged items.																

Wheels & Tires

Section	Service Note	Tower 1		Tower 2		Tower 3		Tower 4		Tower 5		Tower 6		Tower 7		Tower 8	
		✓	✗	✓	✗	✓	✗	✓	✗	✓	✗	✓	✗	✓	✗	✓	✗
Tires	Inspect for weathering and damaged lugs.																
Lug Nuts	Torque to manufactures specifications.																
Air Pressure	(PSI)																

Notes

