

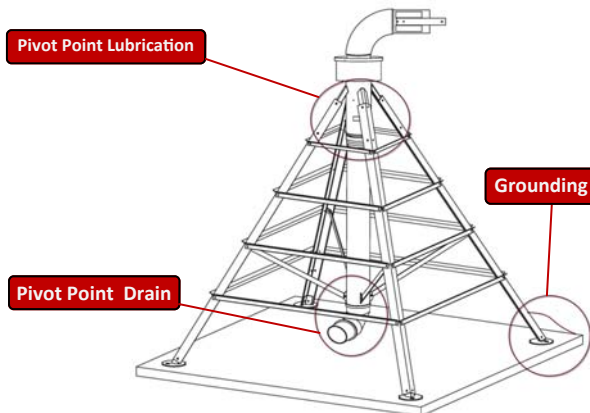


# MECHANIZED IRRIGATION EQUIPMENT BASIC FULL CIRCLE SERVICE PROGRAM



Farm Name:	_____	Serial Number:	_____
Customer Name:	_____	Date:	_____
Address:	_____	Work Order:	_____
City, State, Zip:	_____	Brand:	_____
Phone:	_____	Model:	_____

## Pivot Point

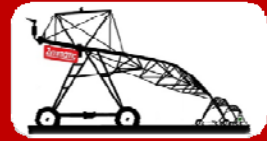


Section	Service Note	Notes
Pivot Point Lubrication	Added grease to grease zerk.	
Pivot Point Drain	Removed drain plug at pivot point.	
Grounding	Checked ground rod in place and wire attached.	

General Observations



# MECHANIZED IRRIGATION EQUIPMENT BASIC FULL CIRCLE SERVICE PROGRAM

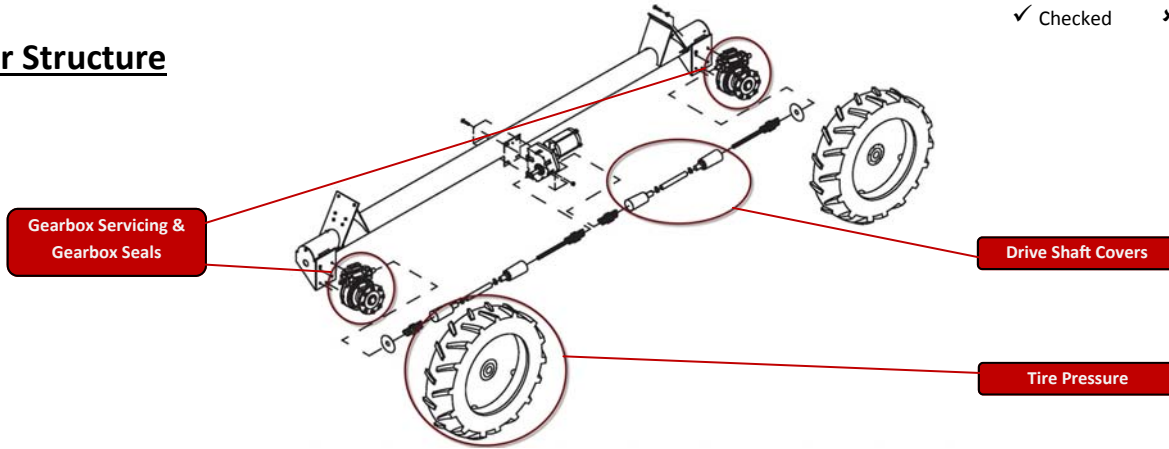


Farm Name: \_\_\_\_\_

Serial Number: \_\_\_\_\_

## Tower Structure

✓ Checked    ✗ Needs Attention



Section	Service Note	Tower 1	Tower 2	Tower 3	Tower 4	Tower 5	Tower 6	Tower 7	Tower 8
		✓	✗	✓	✗	✓	✗	✓	✗
Gearbox Servicing	Drained water from gearbox								
Gearbox Seals	Visually inspected seals on gearbox								
Driveshaft Covers	Visually inspected the covers are in place								
Tire Air Pressure	Tire pressure per manufacture requirements								

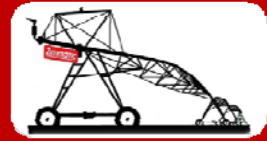
## Sprinklers

Section	Service Note	Span 1	Span 2	Span 3	Span 4	Span 5	Span 6	Span 7	Span 8
		✓	✗	✓	✗	✓	✗	✓	✗
Drops	Missing drops								
Sprinkler heads	Leaking, broken or worn drops								
Sprinkler Check	Look for missing drops if used								

General Observations



# MECHANIZED IRRIGATION EQUIPMENT BASIC FULL CIRCLE SERVICE PROGRAM



Farm Name: \_\_\_\_\_

Serial Number: \_\_\_\_\_

✓ Checked    ✘ Needs Attention

### Additional Item Check list (Dealer Provided)



Section	Service Note	Tower 1		Tower 2		Tower 3		Tower 4		Tower 5		Tower 6		Tower 7		Tower 8	
		✓	✘	✓	✘	✓	✘	✓	✘	✓	✘	✓	✘	✓	✘	✓	✘

Notes